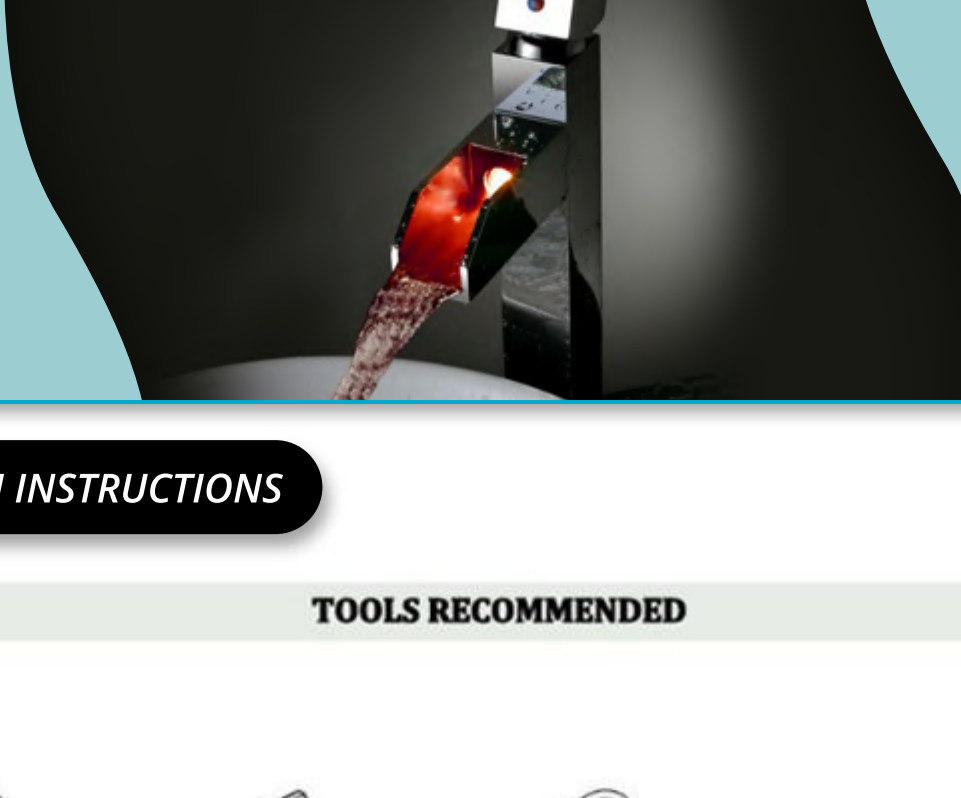
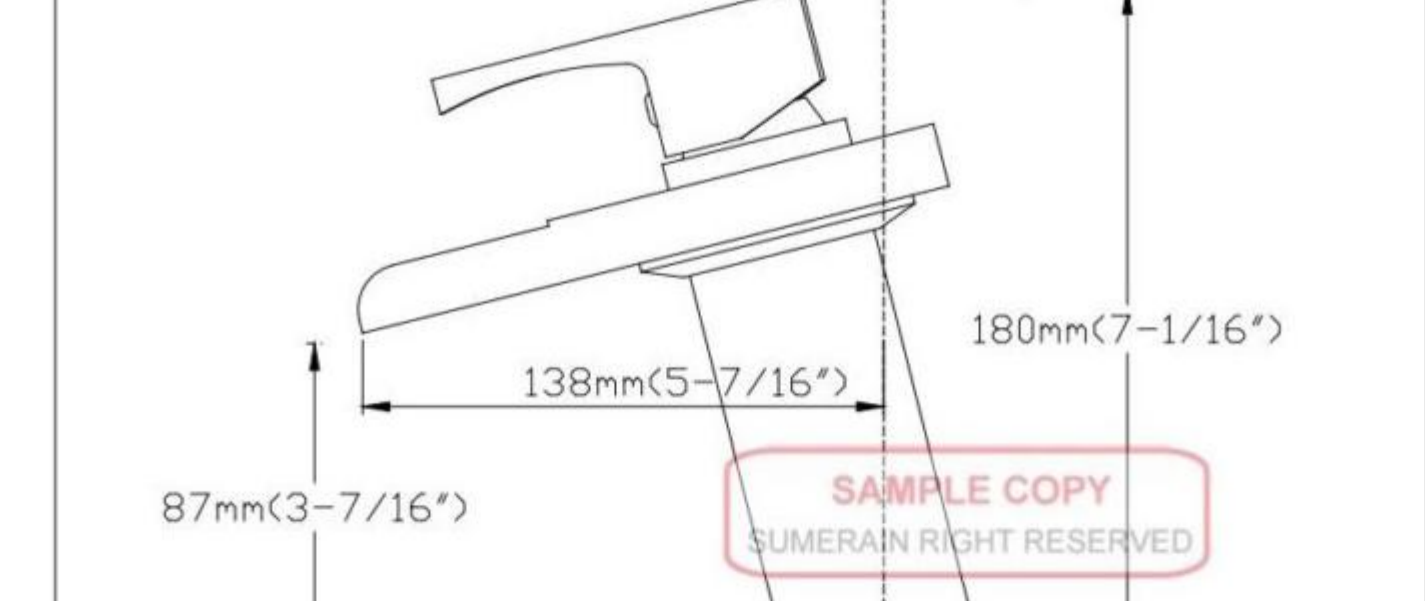


16CM Waterfall Color Changing LED Bathroom Sink Faucet Single Lever Single Handle Chrome Finish



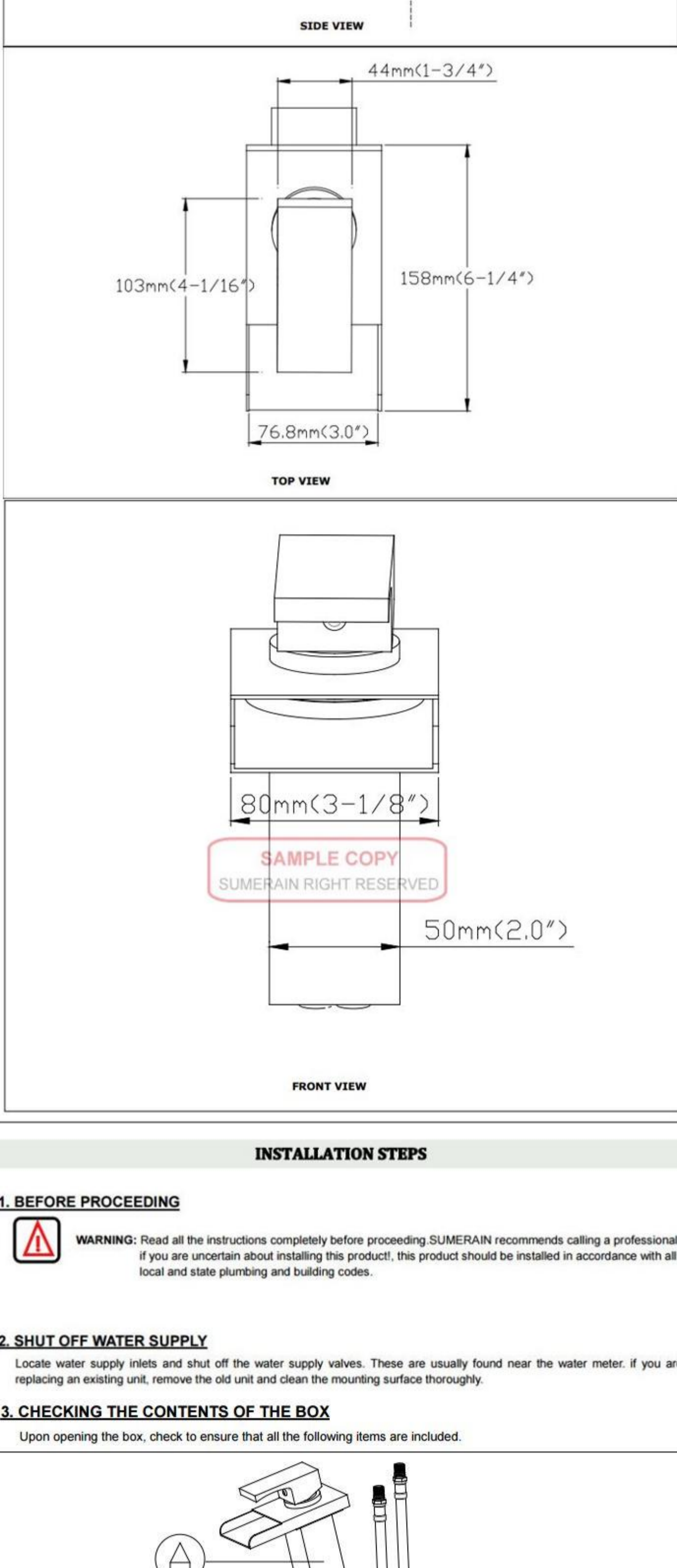
INSTALLATION INSTRUCTIONS

TOOLS RECOMMENDED



Phillips screwdriver Allen wrench Adjustable wrench Channel locks Thread Sealant

DIMENSION



INSTALLATION STEPS

1. BEFORE PROCEEDING

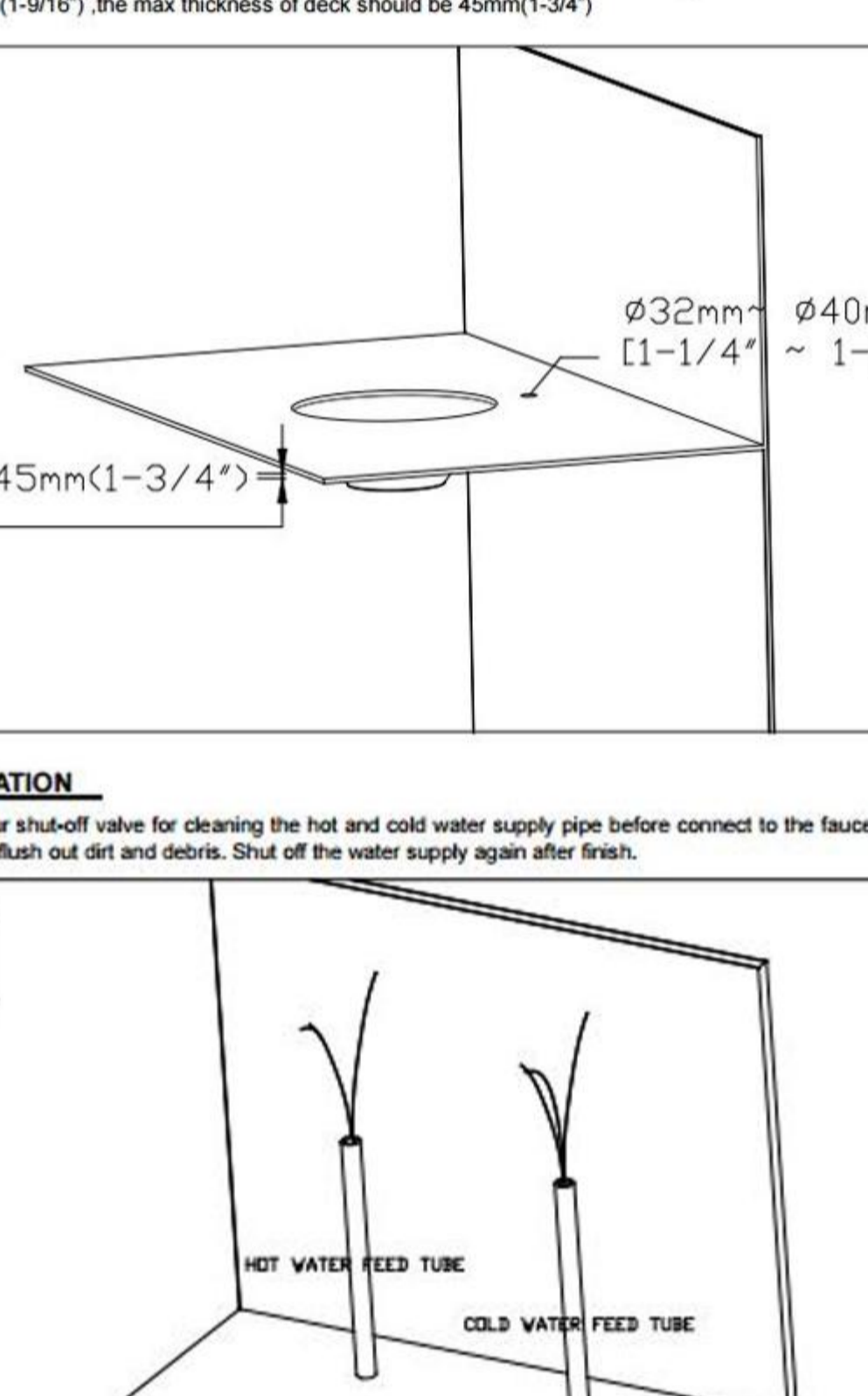
WARNING: Read all the instructions completely before proceeding. SUMERAIN recommends calling a professional if you are uncertain about installing this product. This product should be installed in accordance with all local and state plumbing and building codes.

2. SHUT OFF WATER SUPPLY

Locate water supply inlets and shut off the water supply valves. These are usually found near the water meter. If you are replacing an existing unit, remove the old unit and clean the mounting surface thoroughly.

3. CHECKING THE CONTENTS OF THE BOX

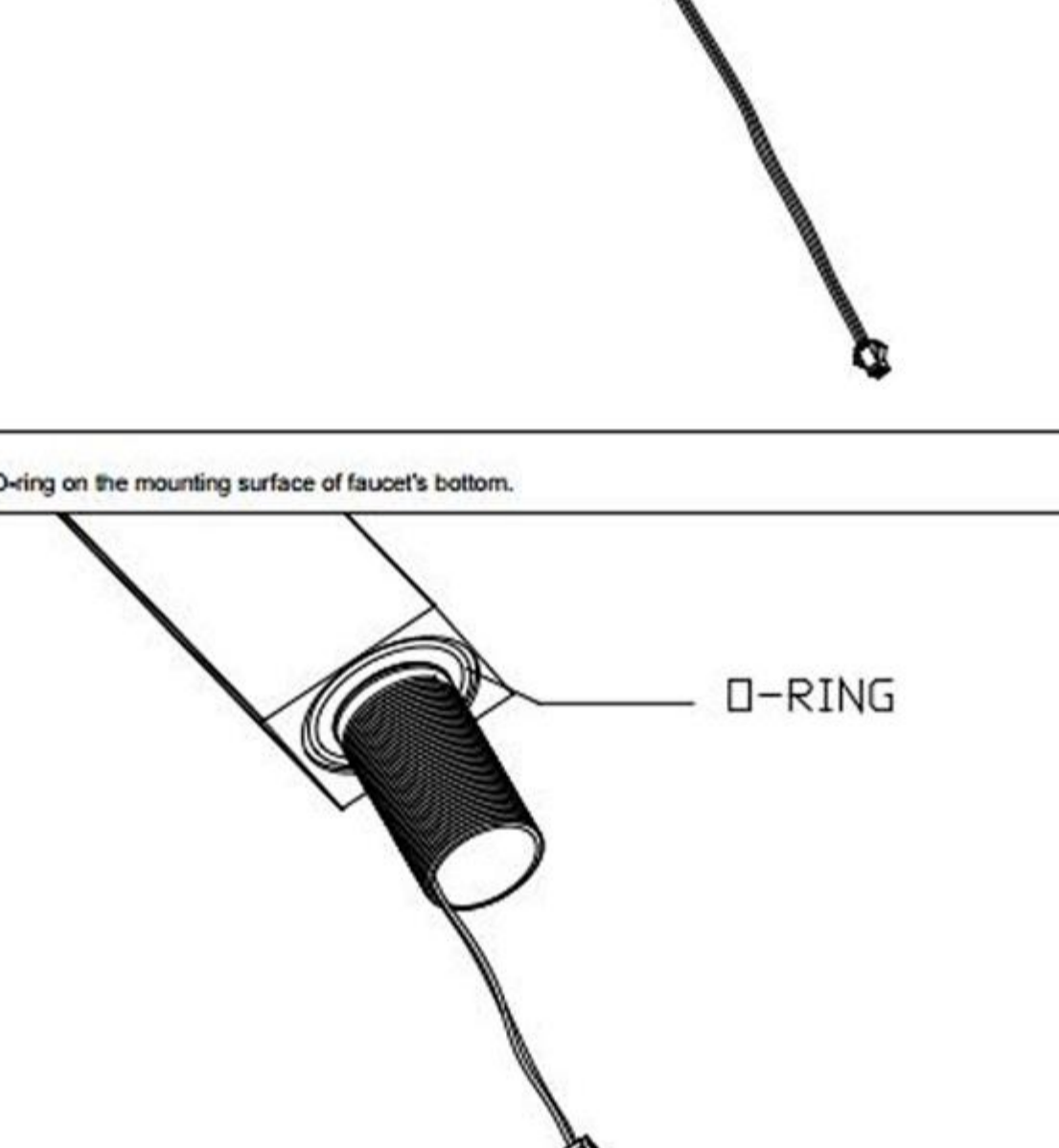
Upon opening the box, check to ensure that all the following items are included.



CODE	ITEM NAME	QTY	CODE	ITEM NAME	QTY
A	Faucet Assembly	1PCS	B	O-Ring	1PCS
C	Rubber washer	1PCS	D	Shank	1PCS
E	Lock Nut	1PCS	F	Flexible hose	2PCS
G	AA battery holder	1PCS			

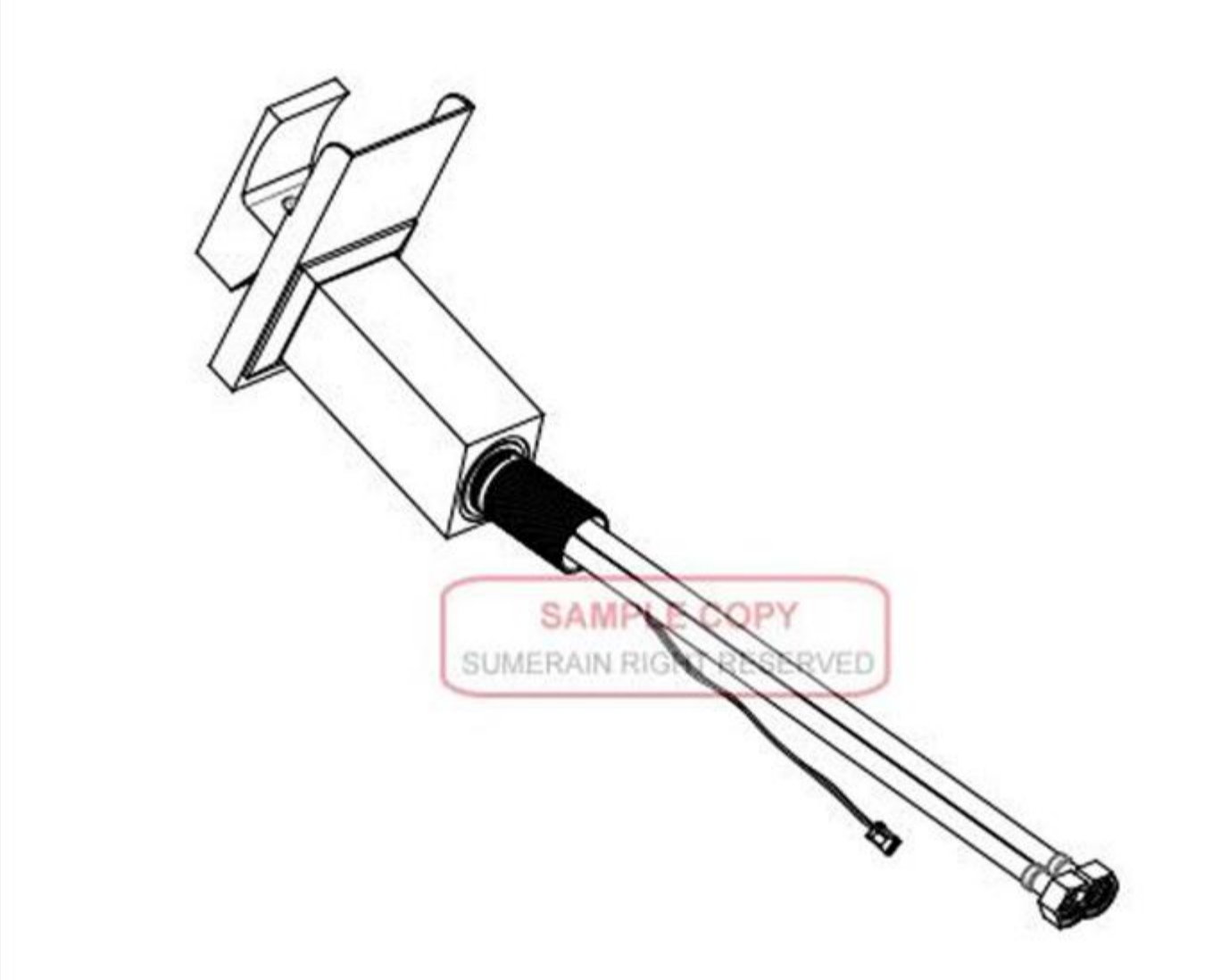
4. INSTALLATION HOLES INSPECTION

Verify that the hole sizes and positions on the desk is correct, the diameter of mounting hole should be 32mm(1-1/4") at least and maximum 40mm(1-9/16"), the max thickness of deck should be 45mm(1-3/4")

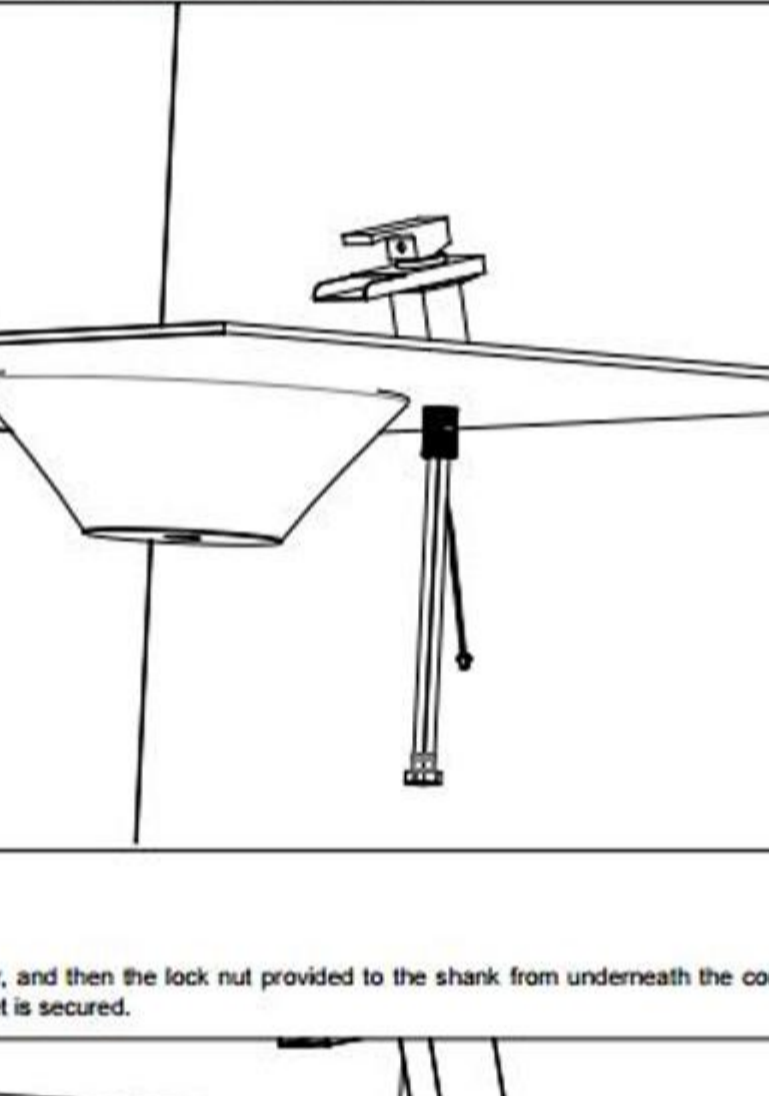


5. INSTALLATION

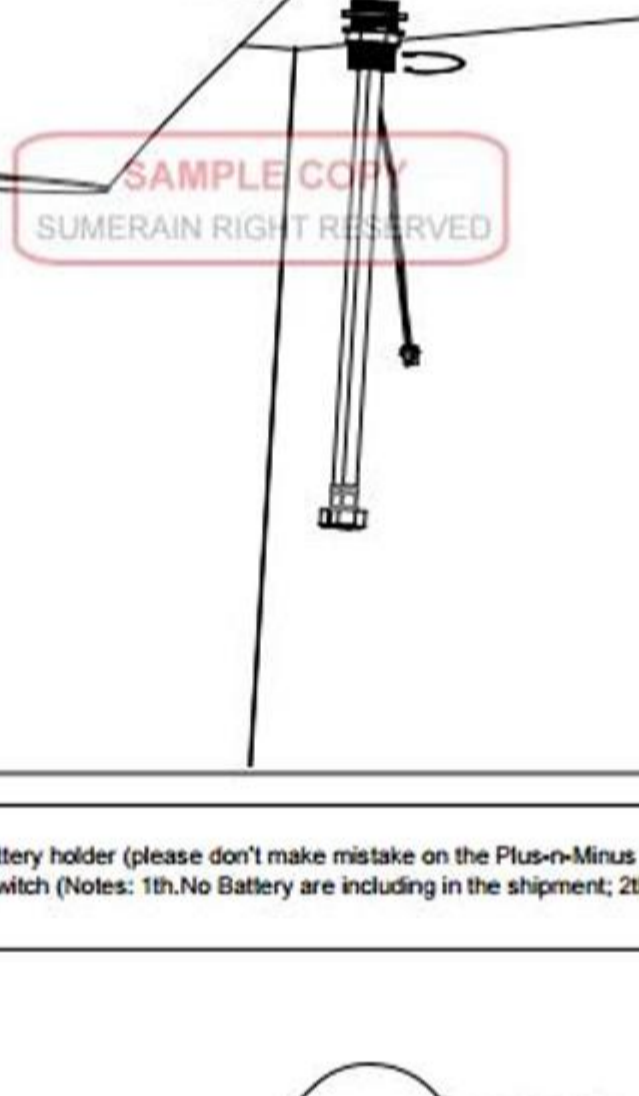
5.1 Turn on your shut-off valve for cleaning the hot and cold water supply pipe before connect to the faucet, allow the water flush 3-5 minutes to flush out dirt and debris. Shut off the water supply again after finish.



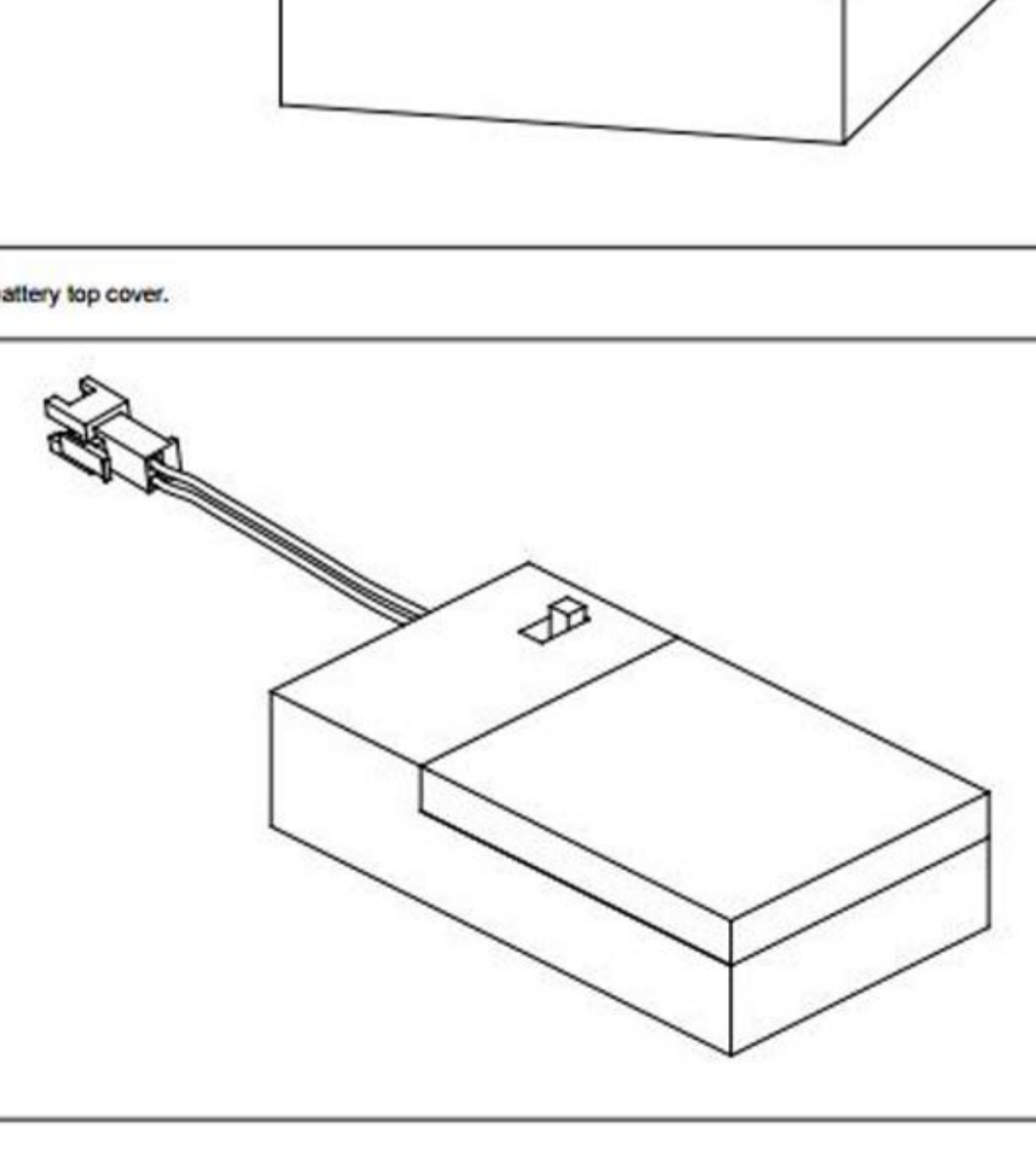
5.2 Attach the shank to the bottom of your faucet.



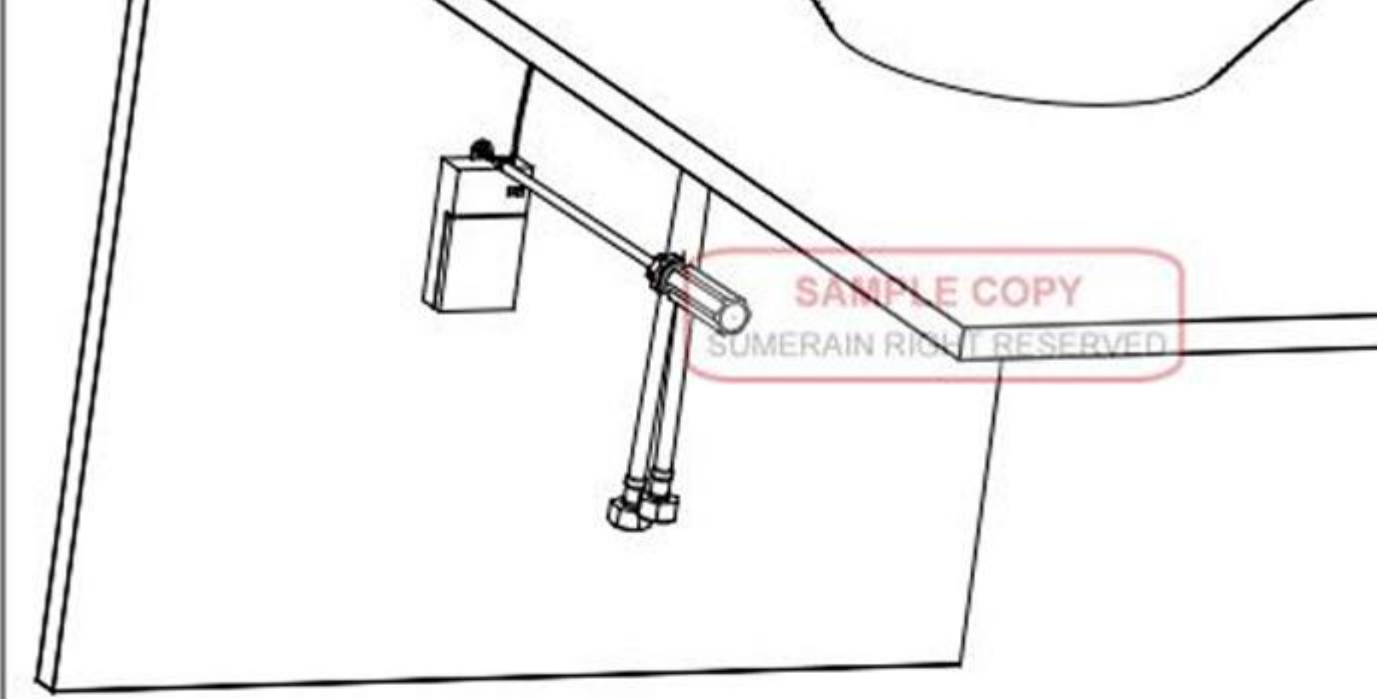
5.3 Place the O-ring on the mounting surface of faucet's bottom.



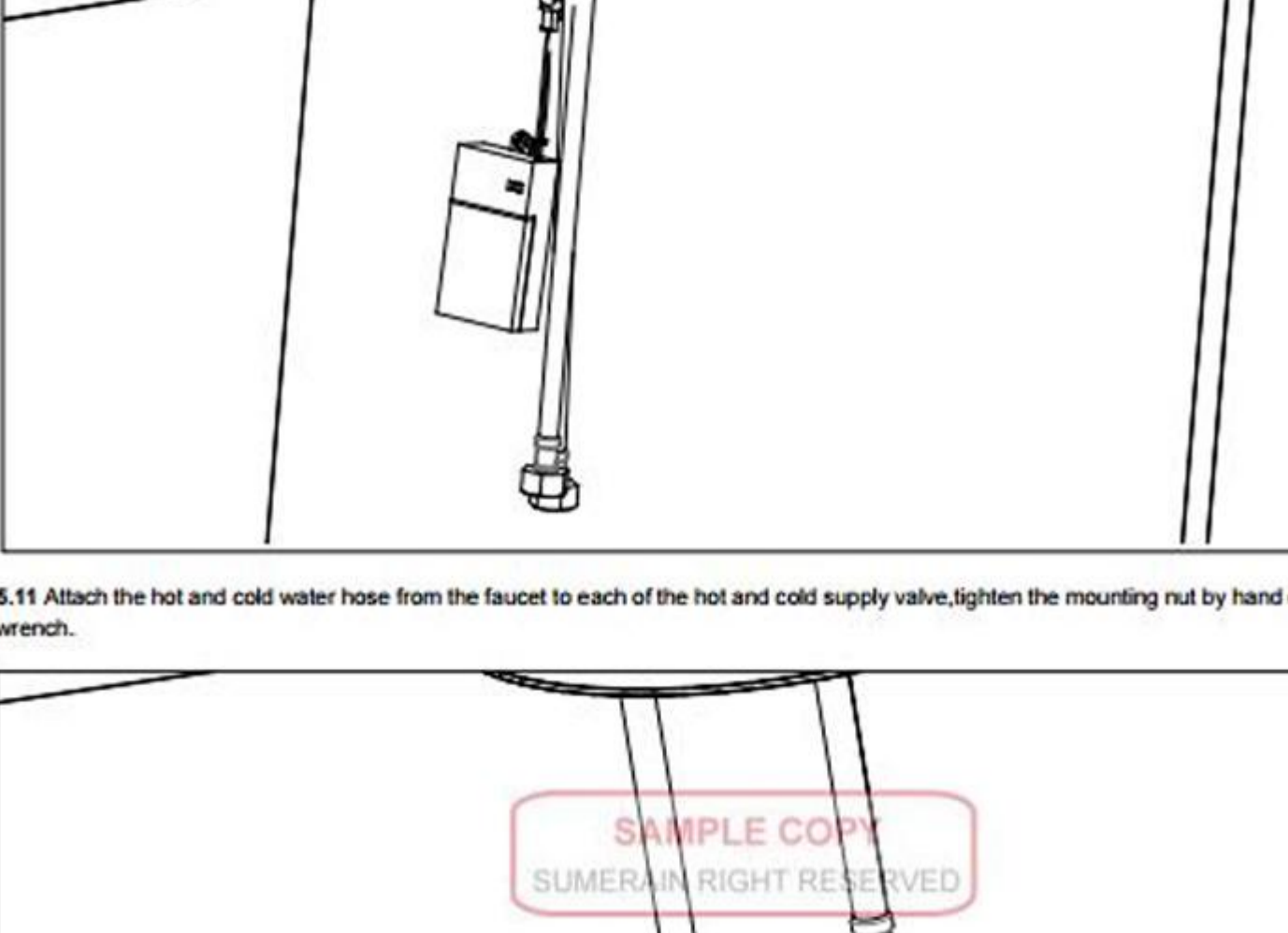
5.4 Attach both hot and cold steel braided water supply lines provided, to their respective threaded connectors at the bottom of the faucet. Hot: left, Cold: Right. Tighten both supply lines by hand, and then with a wrench or grips, but be careful not to over tighten or you may strip or crack the threaded connectors.



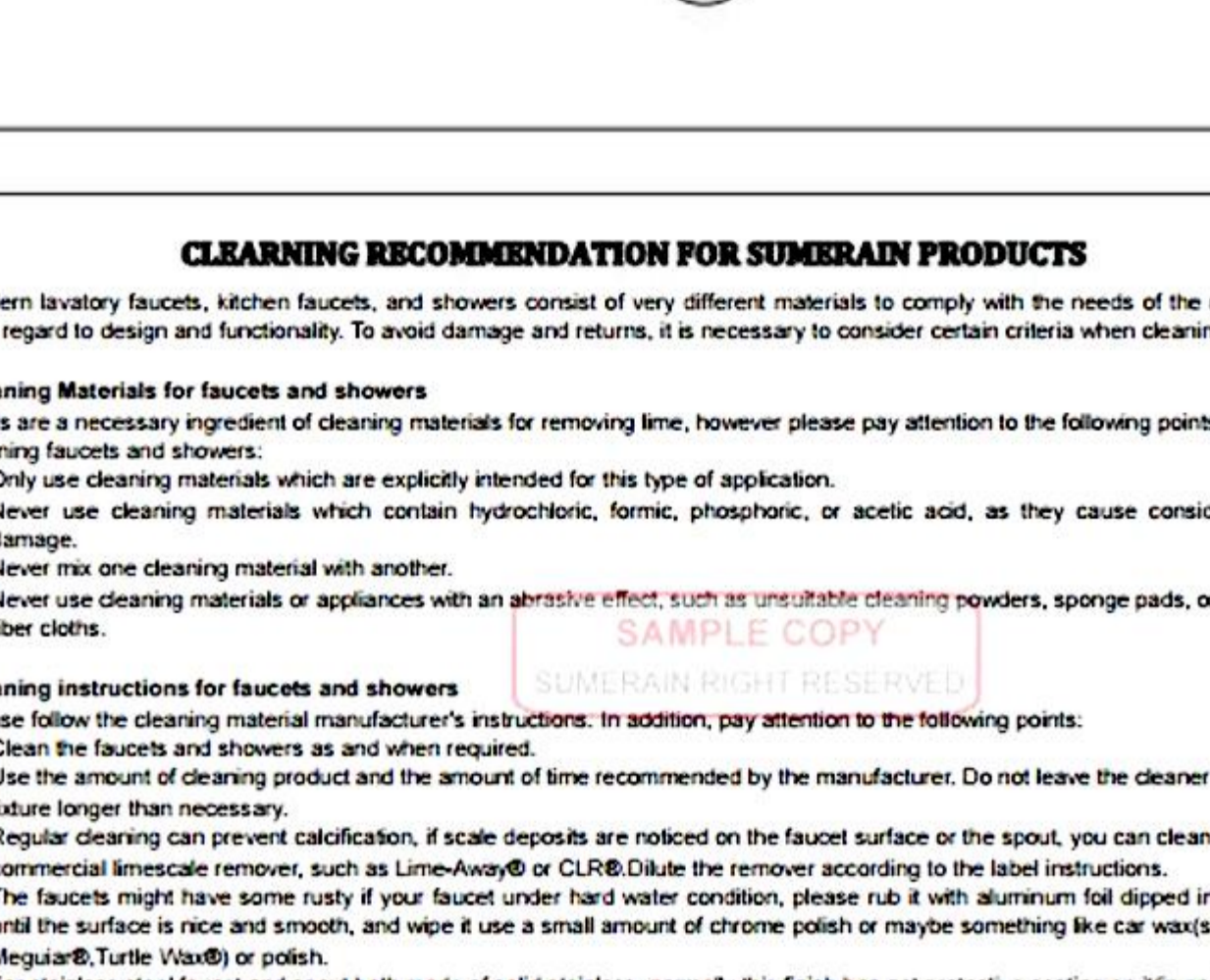
5.5 position the faucet with shank and O-ring on the mounting surface.



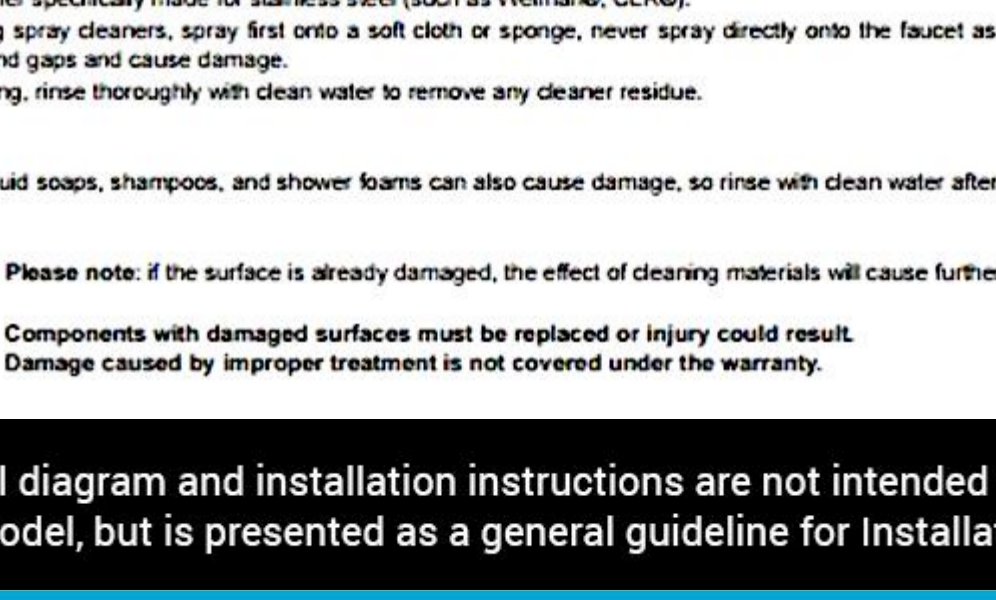
5.6 Attach the rubber washer, and then the lock nut provided to the shank from underneath the countertop and tightens with a wrench or grips until the faucet is secured.



5.7 Place 3 PCS AA battery into the battery holder (please don't make mistake on the Plus-minus or else it will damage electronic components), then turn on the power switch (Notes: 1th: No Battery are including in the shipment; 2th: Battery holder's switch is turn on by default before delivered).



5.8 Fasten the battery top cover.



5.10 Connect battery holder to the plug receptacle which comes from faucet bottom.

5.11 Attach the hot and cold water hose from the faucet to each of the hot and cold supply valve, tighten the mounting nut by hand or wrench.

CLEANING RECOMMENDATION FOR SUMERAIN PRODUCTS

Modern lavatory faucets, kitchen faucets, and showers consist of very different materials to comply with the needs of the market with regard to design and functionality. To avoid damage and returns, it is necessary to consider certain criteria when cleaning.

Cleaning Materials for faucets and showers
Acids are a necessary ingredient of cleaning materials for removing lime, however please pay attention to the following points when cleaning faucets and showers:

- Only use cleaning materials which are explicitly intended for this type of application.
- Never use cleaning materials which contain hydrochloric, formic, phosphoric, or acetic acid, as they cause considerable damage.
- Never mix one cleaning material with another.
- Never use cleaning materials or appliances with an abrasive effect, such as unusable cleaning powders, sponge pads, or micro fiber cloths.

Cleaning instructions for faucets and showers
Please follow the cleaning material manufacturer's instructions. In addition, pay attention to the following points:

- Clean the faucets and showers as and when required.
- Use the amount of cleaning product and the amount of time recommended by the manufacturer. Do not leave the cleaner on the fixture longer than necessary.
- Regular cleaning can prevent calcification, if scale deposits are noticed on the faucet surface or the spout, you can clean it by a commercial limescale remover, such as Lime-A-Way® or CLR®. Dilute the remover according to the label instructions.
- The faucets might have some rusty if your faucet under hard water condition, please rub it with aluminum foil dipped in water until the surface is nice and smooth, and wipe if use a small amount of chrome polish or maybe something like car wax (such as Meguiar's Turtle Wax®) or polish.
- For stainless steel faucet and spout both made of solid stainless, normally this finish has not protective coating on it (in particular waterfall spout inside), stainless steel is by its material nature very tarnish resistant, but by no means tarnish or stain proof. This finish might oxidize naturally over time and react to its environment. Keep your stainless fixture wiped clean and dry and use only a cleaner specifically made for stainless steel (such as Weiman® CLR®).
- When using spray cleaners, spray first onto a soft cloth or sponge, never spray directly onto the faucet as droplets can enter openings and gaps and cause damage.
- After cleaning, rinse thoroughly with clean water to remove any cleaner residue.

Important
Residues of liquid soaps, shampoos, and shower foams can also cause damage, so rinse with clean water after using.

Please note: if the surface is already damaged, the effect of cleaning materials will cause further damage.
Components with damaged surfaces must be replaced or injury could result.
Damage caused by improper treatment is not covered under the warranty.