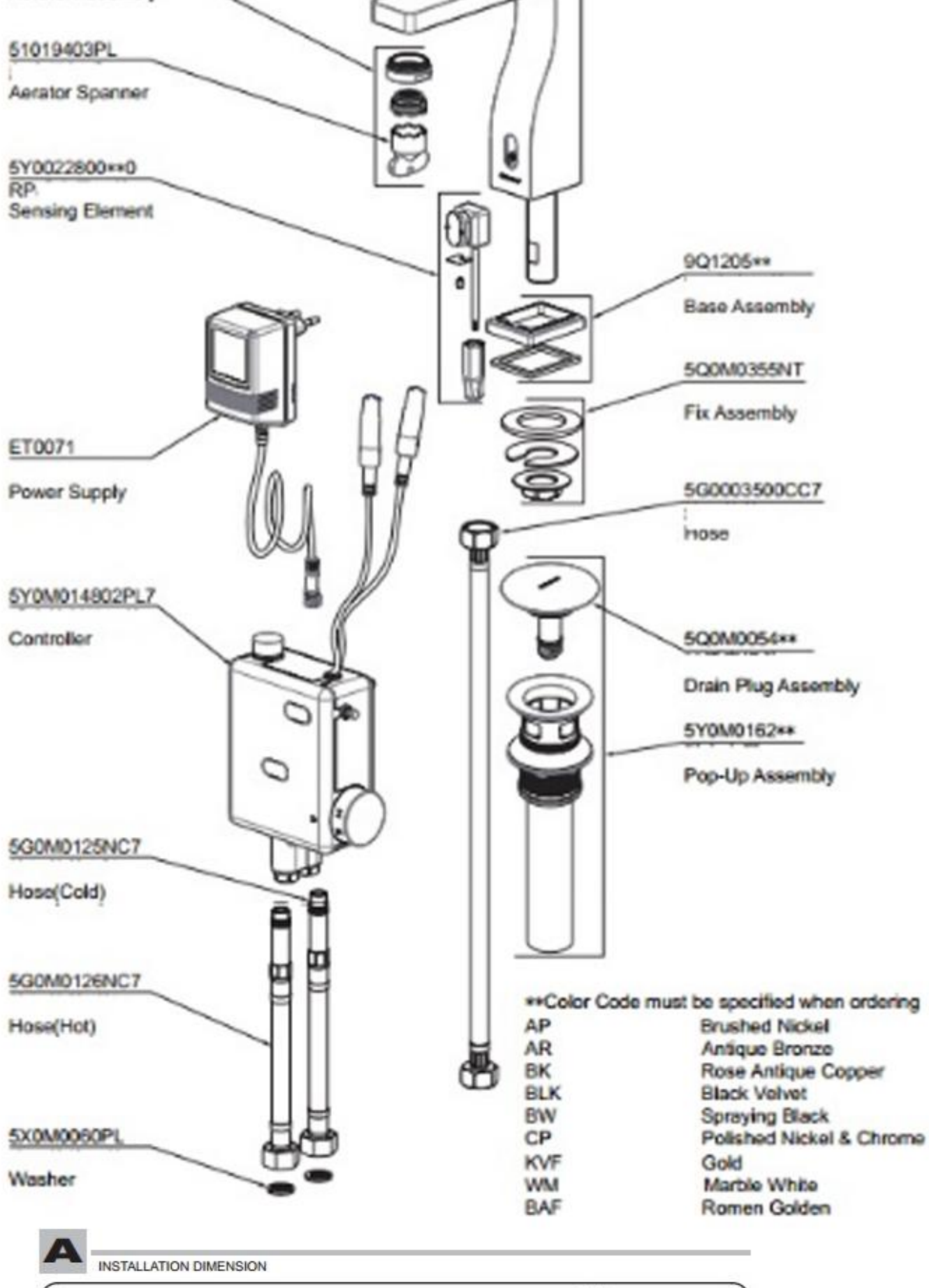




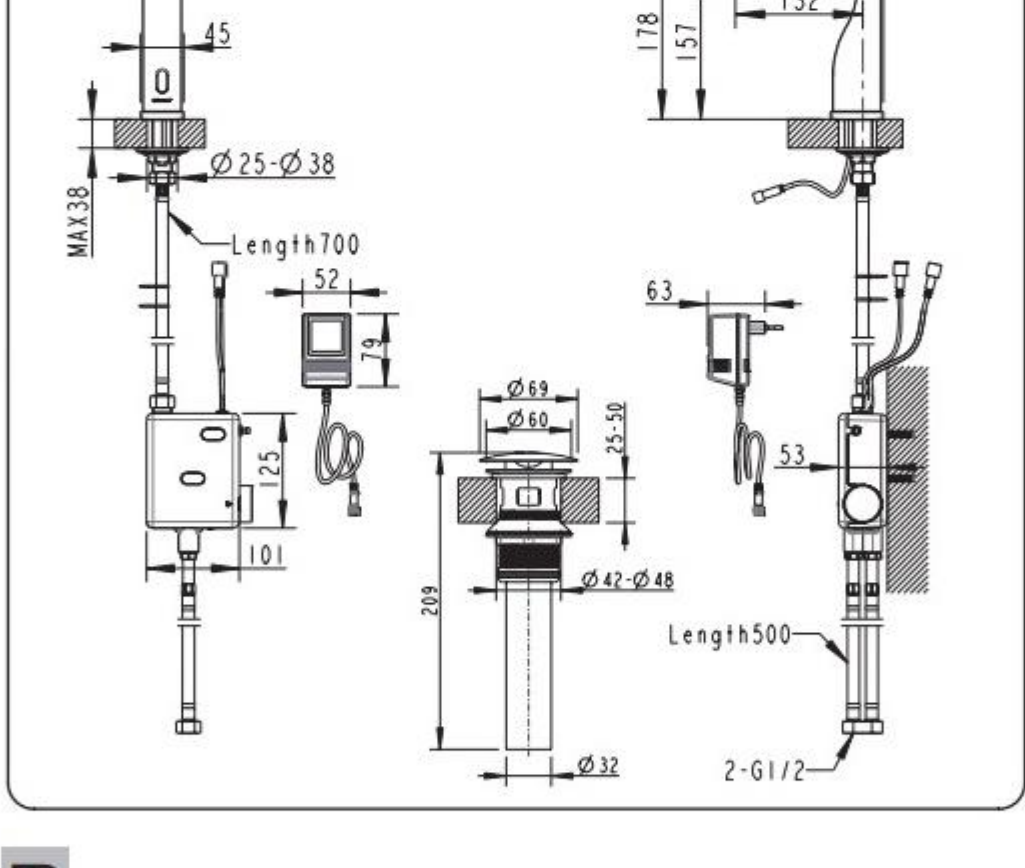
INSTALLATION INSTRUCTIONS

PRODUCTS INSTALLATION INSTRUCTIONS

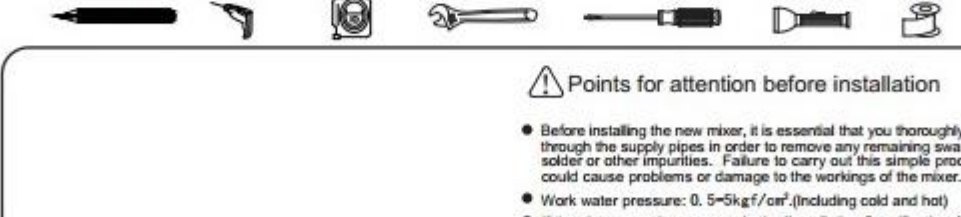
MODEL: D637**+1
Description: Infrared Electronic Faucet



A INSTALLATION DIMENSION



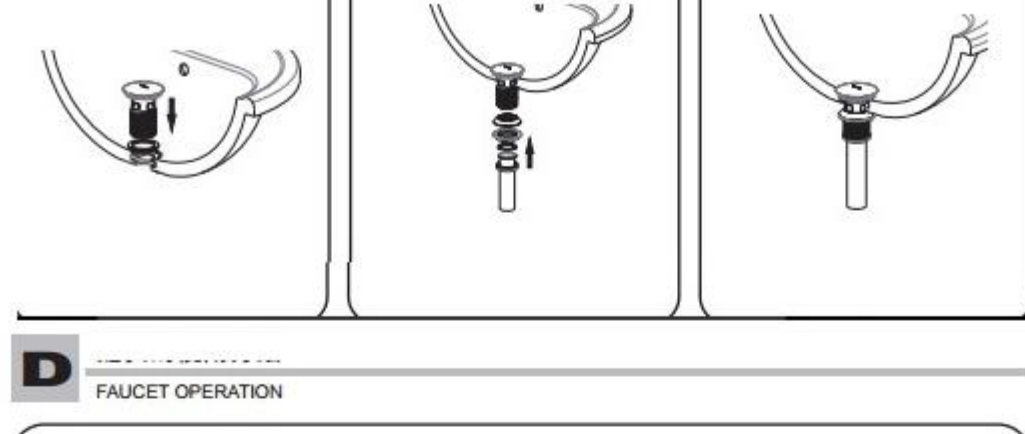
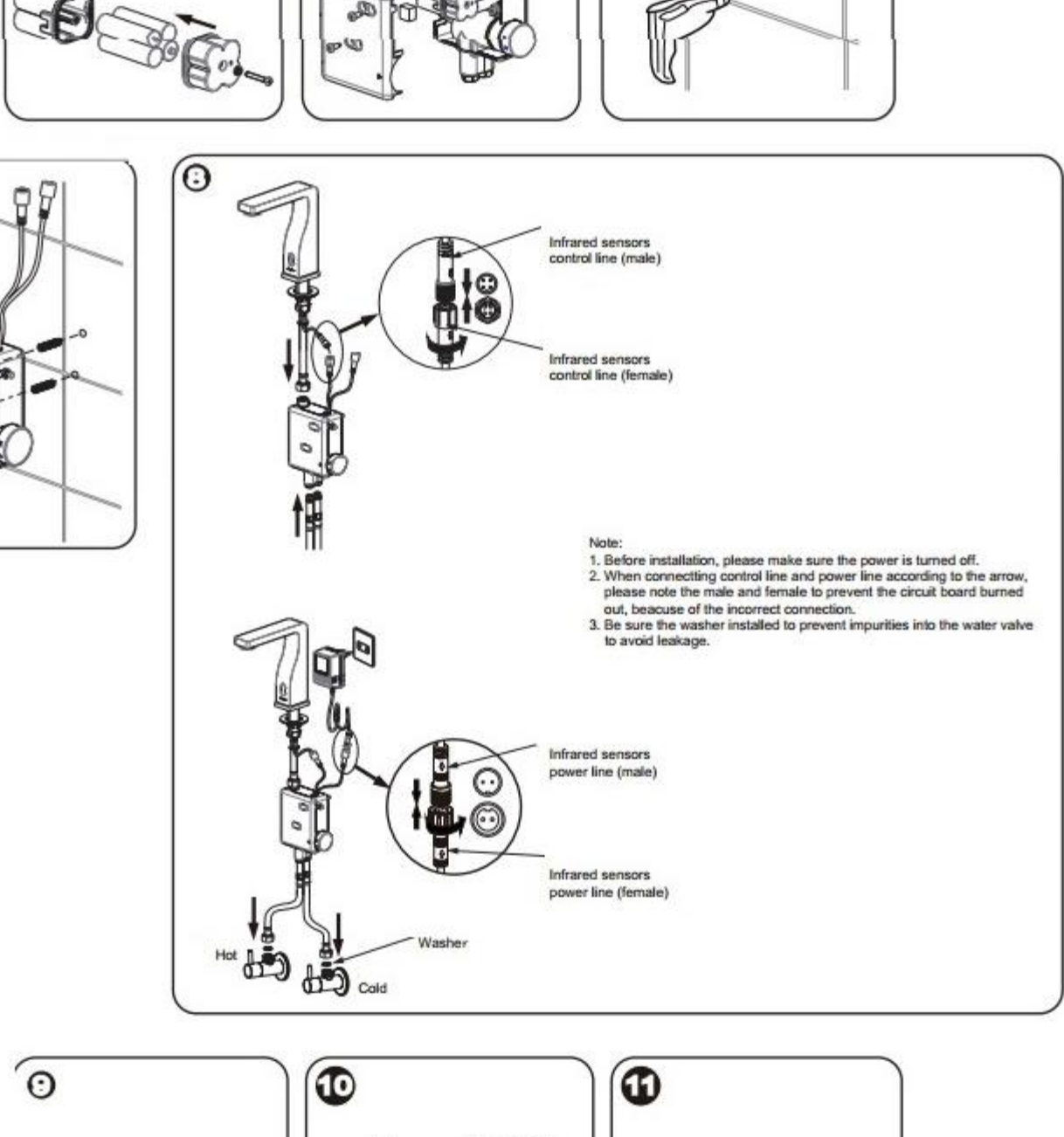
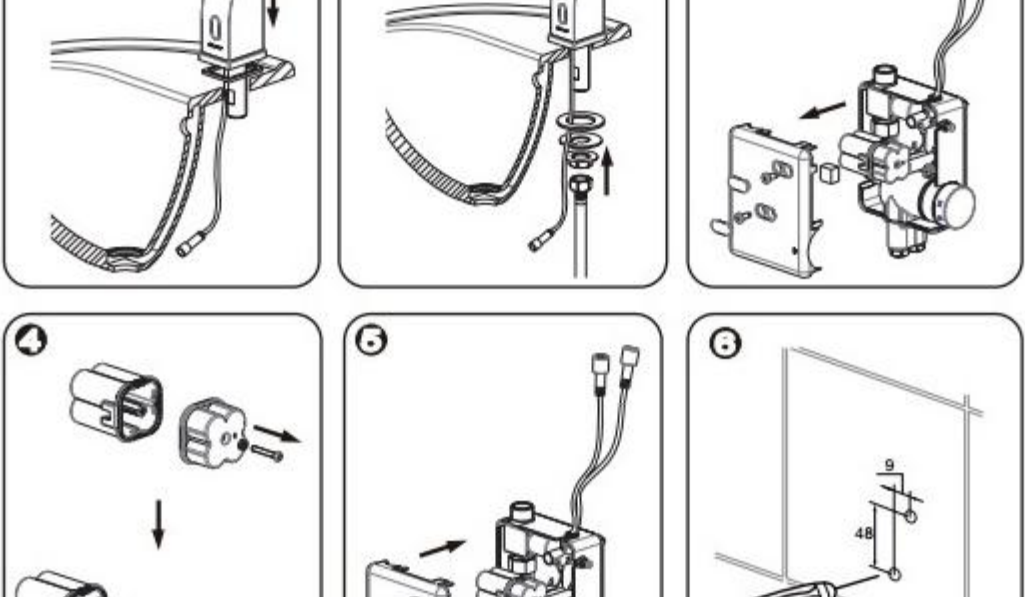
B HELPFUL TOOLS



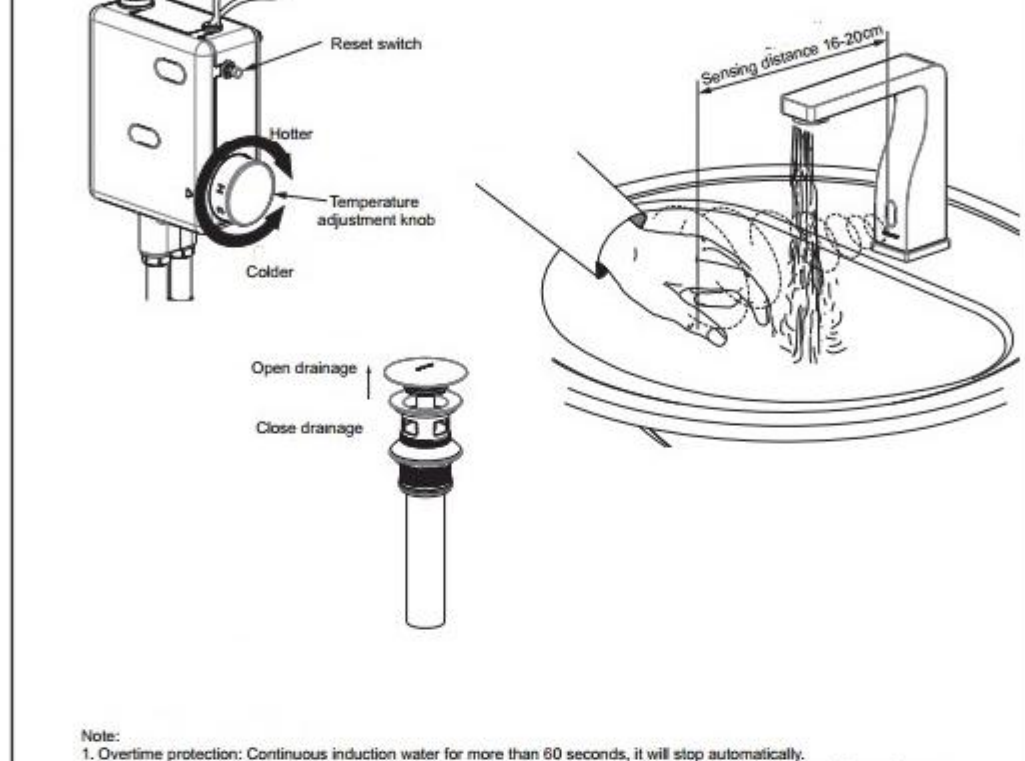
Points for attention before installation

- Before installing the new mixer, it is essential that you thoroughly flush through the supply pipes in order to remove any remaining swarf, solder or other impurities. Failure to carry out this simple procedure could cause problems or damage to the workings of the mixer.
- Work water pressure: 0.5-5kgf/cm² (including cold and hot)
- If the pictures and statements in the "Installation Specifications" is unconfirmed with practically, please take practically as standard.

C INSTALLATION STEP



D FAUCET OPERATION



PARAMETE

Power	Dc type: AA SIZE 1.5V Battery, 4 pcs Ac type:(for European standard): Input 220V, Output 6V/500mA
Sensing Distance	16-20cm
Sensing Duration	1 second
Battery Lift Time	Appr. 50,000 cycle
Supply Water Pressure	0.5-5kgf/cm ²
Ambient Temperature	5°C-45°C (Supply Water Temperature 5°C-50°C)
Supply Water Pipe Specification	G1/2
Non-working Power Consumption	<0.5mW

E SPECIFICATION

GB This technical product information is exclusively for the installer or trained specialists. Please pass these instructions on to the user.

Application: Operation with unpressurized storage heaters is not possible. Use for indoor public places and common residence.

Specifications
 Flow pressure: min. 0.5 bar – recommended 1 – 5 bar
 Operating pressure: max. 10 bar
 Test pressure: 16 bar
 Flow rate at 3 bar flow pressure for basin: ≥ 12 L/min
 Hot water inlet temperature: max. 80°C
 Recommended (energy saving): 60°C
 Environment temperature: 5°C – 45°C

If static pressure exceeds 5 bar, a pressure-reducing valve must be fitted.

Avoid major pressure differences between hot and cold water supply.

Installation: Flush piping system prior and after installation of fitting thoroughly (Consider EN 806). Fitting a temperature limiter is possible.

Function: Check connections for leaks and check function of fitting. Flow is diverted automatically from shower outlet to bath inlet when the fitting is closed.

Maintenance: Inspect and clean all components and replace if necessary. Shut off water supply for maintenance work.

When installing the cartridge, ensure that the seals are correctly seated. Tighten the screws evenly and alternately.

Replacement parts: see exploded drawing. Care: see Care Instructions.

F SIMPLE TROUBLE SHOOTING

Problem	Alternative Cause	Solution
I No Flow	1.Low Battery	Change Battery
	2.Sensor Plug loose off	Insert Plug
	3.Supply Valve at close position	Turn on Supply Valve
II Restricted Flow	Filter of sensor or spout blocked	Clean Filter

G MAINTENANCE

CAUTION: Always turn water OFF before removing existing or disassembling the faucet. Open faucet handle to relieve water pressure and insure that complete water shut-off has been accomplished.

To keep the faucet clean and bright, please clean the faucet regularly, please abide by the following procedures:

- Use rinsing water and soft cloth, clean bilge and bilge membrane on the surface to the best of the abilities.
- Cleaned the residus with the following cleansers only.
 - Soft liquid cleanser.
 - Colorless glass cleanser, totally soluble powder cleanser (without abrasive capability. (Mixed by instructions.)
 - No abrasive cleansers waxes
 - Never use cleanser, emery cloth or handkerchief which can rub.
 - Never use cleanser containing abrasive cleansers, ammonia, bleach, acids, waxes, alcohol, solvents or other products not recommended for chrome.
- After cleaning, use rinsing water to flush out all cleanser immediately and drying with soft cotton cloth.
- Faucet regularly dismantle the aerator regularly, rinse under clean running water until any loose debris is cleared to avoid the influence to water outflow.

H SPECIAL STATEMENT

The products installation instruction is written in accordance with the latest product information, following the sustainable development strategy of the Company, to improve continually the product's specification, performance etc., subject to change without notice. (The Company reserves the right to interpret)