

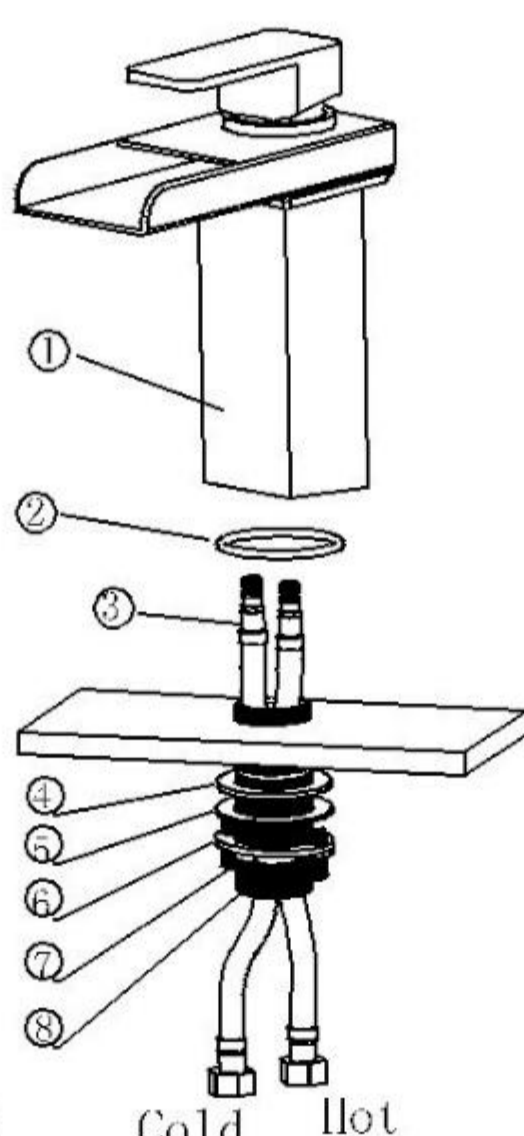
# 16CM Single Handle Chrome Finish Waterfall Color Changing LED Bathroom Sink Faucet



## INSTALLATION INSTRUCTIONS

### Installation steps:

1. Screw the hoses(3) with the faucet body(1) through the thread pipe(8) and the O-ring(2) .
2. Screw the thread pipe(8) with the body(1)
3. Screw the nut(6) and washer(4)(5) on the thread pipe(8).
4. Screw the screw(7) with nut(6) to fix the faucet body(1).
5. Connecting the end of the hoses to the connector of the cold and hot water supply system.



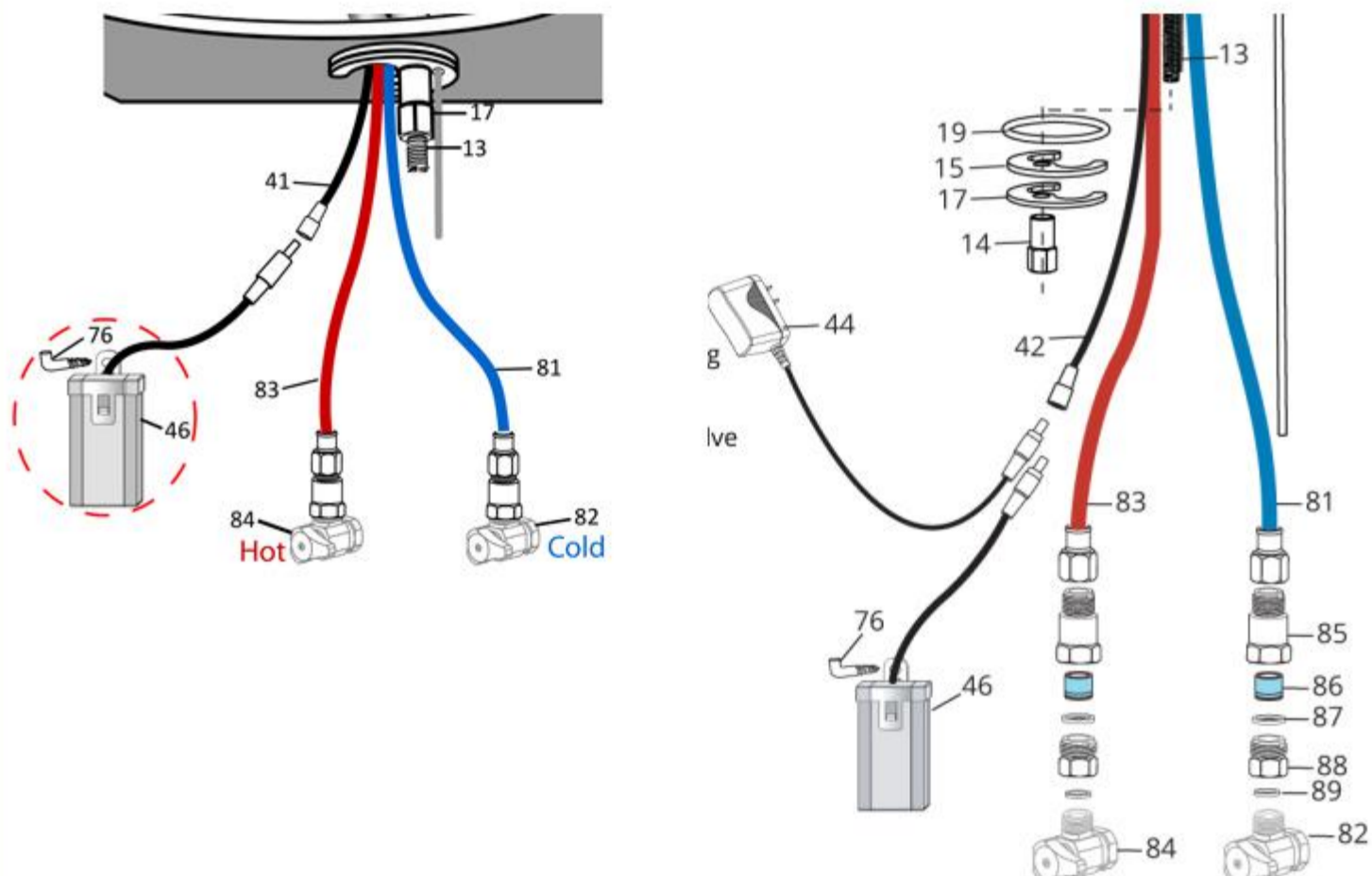
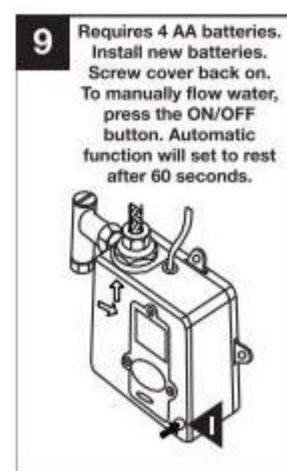
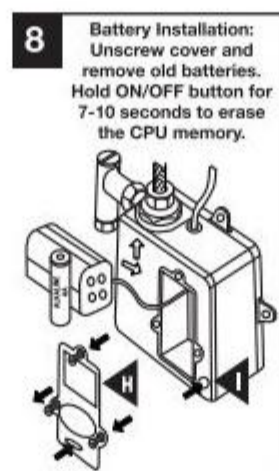
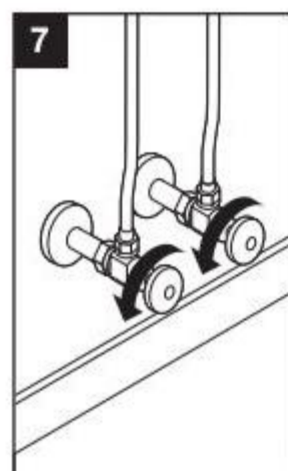
### Specifications

Cold Hot

Name	Size	Quantity
O-ring	Ø46xØ1.9mm	1
M10x1—G $\frac{1}{2}$ hose	500mm	2
Washer	Ø48.5xØ33x2mm	1
Nut		1
Thread pipe	M32x1.5mm	1
Screw		2
Washer	Ø15.5xØ8.5x2mm	2
Installation instruction		1

### Maintenance

- Use clean water to wash the faucet , and use a soft cloth or leather to wipe it.
- Don't use acidic washing liquid or abrasive materials to wash the faucet.



This General diagram and installation instructions are not intended for any specific model, but is presented as a general guideline for Installations!