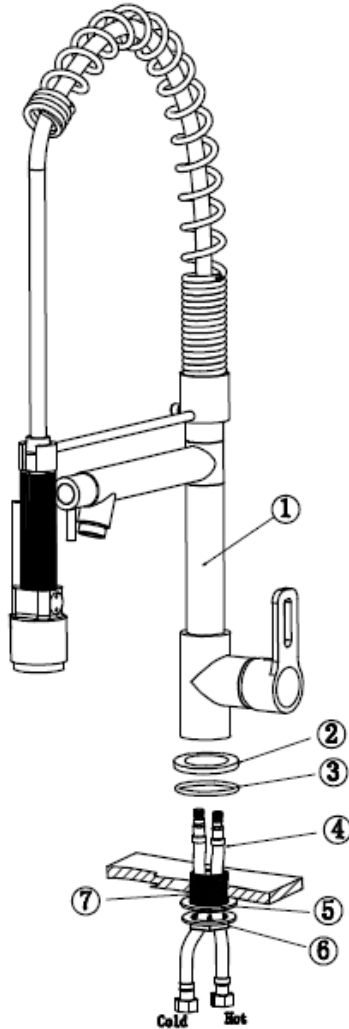


## Installation steps:

1. Put the decorative base (2) and O-ring (3) through the thread pipe (7) and close to the faucet bottom
2. Put the faucet thread pipe (7) part into the deck hole, screw it with washer (5) and nut (6) .
3. Screw the cold and hot hose (4) with the faucet body and connecting the end of the hoses to the connector of water supply system .
4. Hang the weight ball (8) in the draw-tube (9) .



**Pull-out Kitchen sink faucet**

## Specifications

Name	Size	Quantity
Decorative base		1
O-ring	Ø46xØ3mm	1
M10x1—G $\frac{1}{2}$ hose	500mm	2
Washer	Ø48.5xØ33x2mm	1
Nut		1
Weight ball		1
G $\frac{1}{2}$ andG $\frac{3}{8}$ connector		2
Connectors changed instruction		1
Washer	Ø15.5xØ8.5x2mm	2
Installation instruction		1

## Maintenance

- Use clean water to wash the faucet , and use a soft cloth or leather to wipe it.
- Don't use acidic washing liquid or abrasive materials to wash the faucet.

## Warranty

The whole faucets have a 5 years warranty.